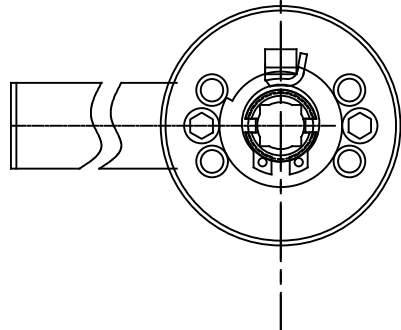
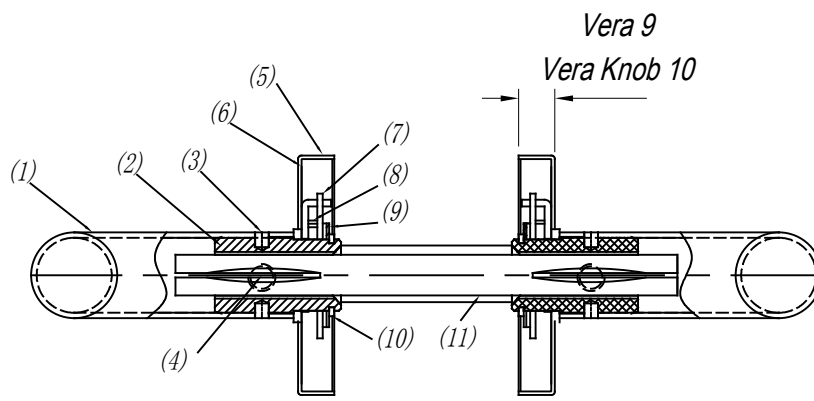
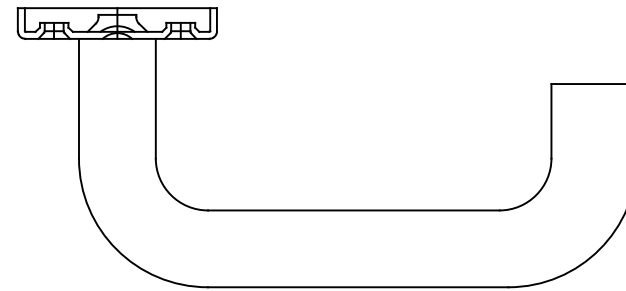


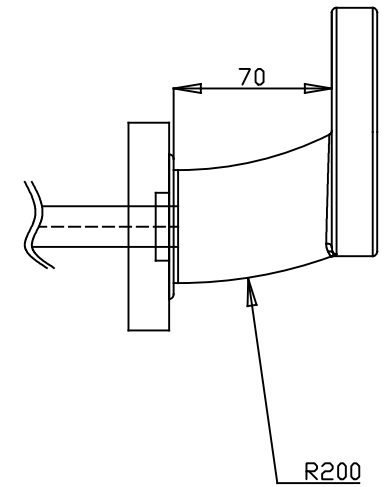
Vera Knob



Vera



U-Form



(11)	spindle	1	9*9*120
(10)	spring	2	GB/T894.1 16
(9)	cushion	3	Ø24*0.8
(8)	spring	3	Ø30*1.9
(7)	stop washer	2	Ø26*1.5
(6)	inner rose	2	52
(5)	outer rose	2	53
(4)	grub screw	2	M6*6
(3)	pin	6	Ø3*3
(2)	steel insert	2	
(1)	handle-satin	2	Ø19
montage	screw M5x70 nut M5x25	4	Vera
montage	screw M5x70 nut M5x20	4	Vera Knob

Vera19-U-9*9

Vera19-U-9*9 Knob